

novofine® Autocover® 30G

0.3×8 mm

Introduction

Please read this instruction leaflet carefully before using NovoFine® Autocover® even if you have used NovoFine® needles before.

Do not use the needle without proper training from your health care provider.

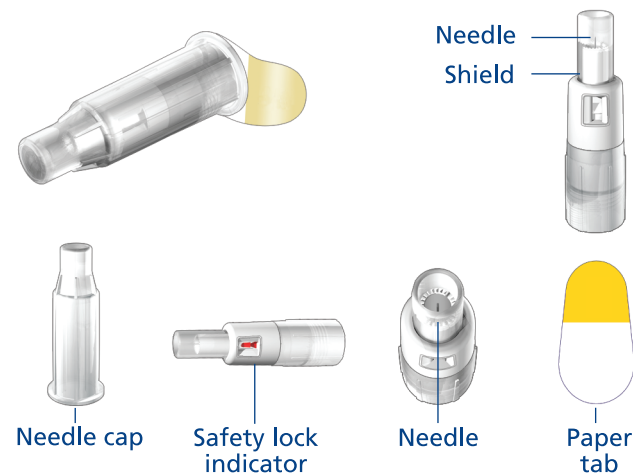
NovoFine® Autocover® is a sterile injection needle with an automatic safety lock that reduces the risk of needle stick injuries. The shield on NovoFine® Autocover® hides the needle from view during use. The safety lock indicates that the needle has been used. The needle is sterile when the paper tab and the needle cap are unbroken. The needles are FOR SINGLE USE ONLY.

NovoFine® Autocover® is not recommended for the blind or visually impaired without the assistance of a sighted individual trained to use it.

⚠ Important information

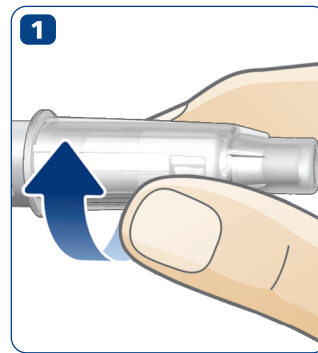
Pay special attention to these notes, as they are important for safe use of the needle.

⚠ Keep small parts away from children.



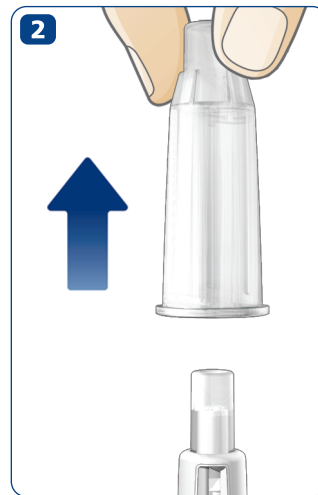
1 Attaching NovoFine® Autocover®

- Take a new NovoFine® Autocover® needle.
- Check the paper tab and the needle cap for damages that could affect sterility. If any damage is seen use a new NovoFine® Autocover®.
- Tear off the paper tab.
- Push the needle straight onto the pen. Turn until it is on tight.



2 Removing the needle cap

- Pull off the needle cap and keep it.



3 Checking the flow (priming)

Check the flow in the delivery device. This helps you to ensure that you get your full dose. Follow the procedure described in the instruction leaflet that comes with the delivery device.



⚠ Before injecting, make sure that the needle is not locked: If the safety lock indicator is red, the needle is locked and cannot be used (see step 5). Remove the needle (see step 6), and attach a new needle.

4 Making the Injection

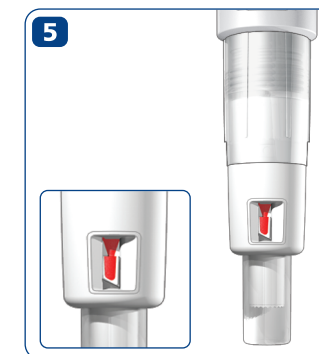
- Select the dose you need, as described in the instruction leaflet that comes with the delivery device.
- Push the needle into the skin following the injection technique demonstrated by your health care professional. To ensure a more firm surface on the injection site, you may use a skinfold.
- Inject the medicine as described in the instruction leaflet that comes with the delivery device. **Keep NovoFine® Autocover® pressed against the skin** as shown in illustration 4, to ensure that the needle stays fully inserted during the injection.
- Keep the needle fully inserted and **count slowly to 6**. This is to make sure that you get your full dose.
- Withdraw the needle from the skin. A few droplets of medicine may appear on the skin. This is medicine collected in the shield at the flow check. It has no effect on the dose delivered.



⚠ Keep the needle fully inserted during the injection to make sure that you get your full dose. **For people using insulin;** if the full dose has not been delivered, it may lead to high blood sugar level.

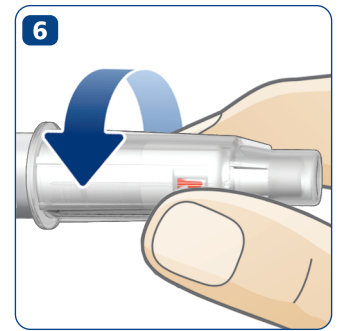
5 Safety Lock

When the needle is withdrawn from the skin, the safety lock is activated and the safety lock indicator turns red. The red safety lock indicator tells you that the needle has been locked and cannot be reused. The red safety lock indicator **does not tell you** that your dose has been delivered.



6 Removing the Needle

- After the injection, replace the needle cap and unscrew the needle.
- Dispose of it safely as instructed by your health care professional.



Can be used with: FlexPen®, FlexTouch®, Innolet®, NovoPen®, NovoPen Echo®, Ozempic®, Saxenda®, Victoza®, Xultophy® (® of Novo Nordisk A/S). FlexPro®, Norditropin® NordiFlex®, NordiPen® (® of Novo Nordisk Health Care AG). AutoPen®, BerliPen®, Byetta Pen®, KlikStar®, HumaPen®, KwikPen®, SoloStar®, TactiPen® (® of their respective owners).

NovoFine® and Autocover® are trademarks owned by Novo Nordisk A/S, Denmark

For customers in the European Union; if your doctor and/or you believe you had a serious incident caused by using NovoFine® Autocover®, make sure to report it to Novo Nordisk and to your national authority.

Date of issue: 2022/07

For information contact:

Novo Nordisk Limited
3 City Place
Beehive Ring Road
Gatwick, West Sussex
RH6 0PA, United Kingdom

Tel: Novo Nordisk Medical Information and Customer Care Centre 0800 023 2573

Novo Nordisk Limited
1st Floor, Block A
The Crescent Building
Northwood Business Park
Santry, Dublin 9
D09 X8W3, Ireland

CE 0123 novonordisk.com

© 2022

Novo Nordisk A/S

Novo Allé,

DK-2880 Bagsværd, Denmark

